

## Product Overview

The 4023 "BuckToot" LED Power Modules are true constant-current regulated drivers for LEDs. Unlike standard power supplies, which deliver a fixed voltage to the output, the BuckToot LED driver is designed to vary the output voltage as required to deliver a constant current to the LED(s), reliably and with stability. The 4023 BuckToot driver exhibits very high efficiency and requires no external current limiting resistors or additional heat sinking.

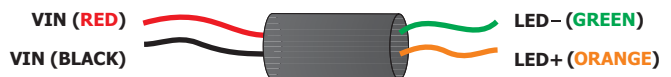
The extremely small form-factor of the BuckToot makes it the ideal choice for many MR-11 and MR-16 integration applications since it can easily be incorporated into the housing assembly. Fully potted and sealed from harsh environments, the 4023 BuckToot measures only 0.38"d x 0.75"l and is supplied with 6" 24AWG colored leads. Custom sizes can be created to meet customer requirements. Contact LuxDrive for more information.



04023 BuckToot LED Driver Module powering (6) Luxeon I LEDs in series ( $V_{IN} \geq 24V$ )

## Features

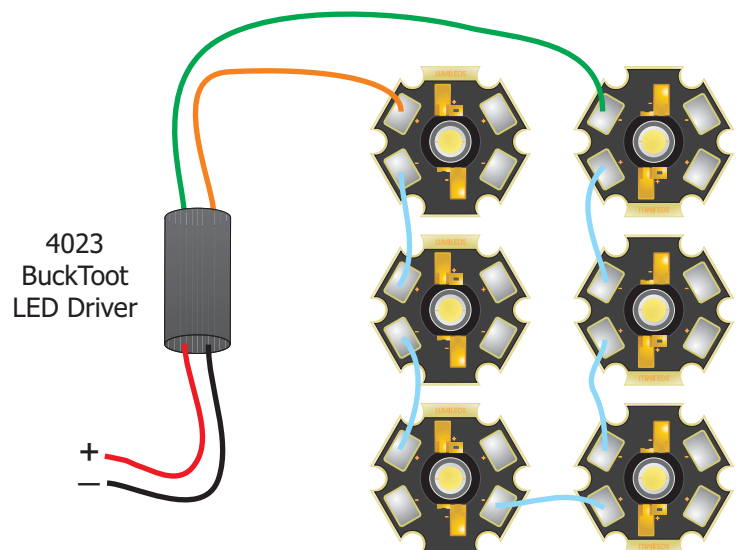
- DC input power up to 25V
- 350mA constant current output
- Extremely small form-factor\* (0.38"d x 0.75"l)
- Output short circuit protection
- Output open circuit protection



**Figure 1.**  
Wiring Connections

## Typical Applications

- Solar & Landscape Lighting
- Architectural Lighting
- Track Lighting
- Automotive & Marine Lighting
- Portable Lighting & Flashlights
- Point of Purchase Lighting
- Desk & Reading Lamps
- Signal & Marker Lighting
- Cabinet & Display Case Lighting
- Sign & Channel Letters
- Much More...



**Figure 2.**  
BuckToot powering (6) Luxeon I LEDs in series  
( $V_{IN} = 24VDC$ )

\* - Units can be designed for OEM applications - Contact LuxDrive for more information

**Part Number Identification Table**

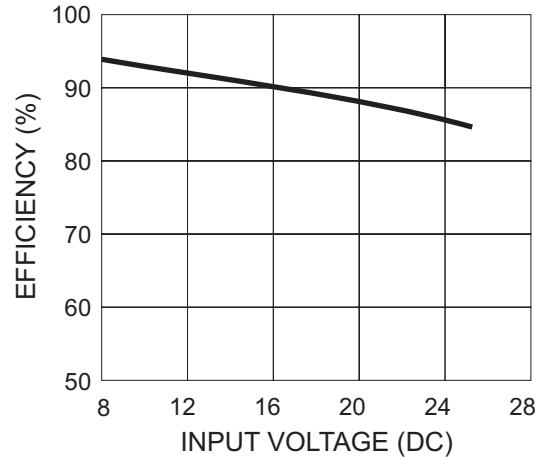
<i>Part Number</i>	<i>DC</i>	<i>AC</i>	<i>On-Board Trim</i>	<i>Ctrl Pin</i>	<i>Ref Pin</i>	<i>Ext. Pot.</i>
4023-D-350	yes	no	no	no	no	no

**Absolute Maximum Ratings**

Input Voltage, DC Model. . . . . 25V  
Output Voltage . . . . . 25V

**Typical Characteristics**

Output tolerance (within specified temp. range) . . . . . ±5%  
Efficiency . . . . . 95%  
Input Voltage Minimum . . . . . 5V<sub>DC</sub>  
Input Margin (350mA unit<sup>1</sup>, add to LED Vf MAX). . . . . 1.5V<sub>DC</sub>

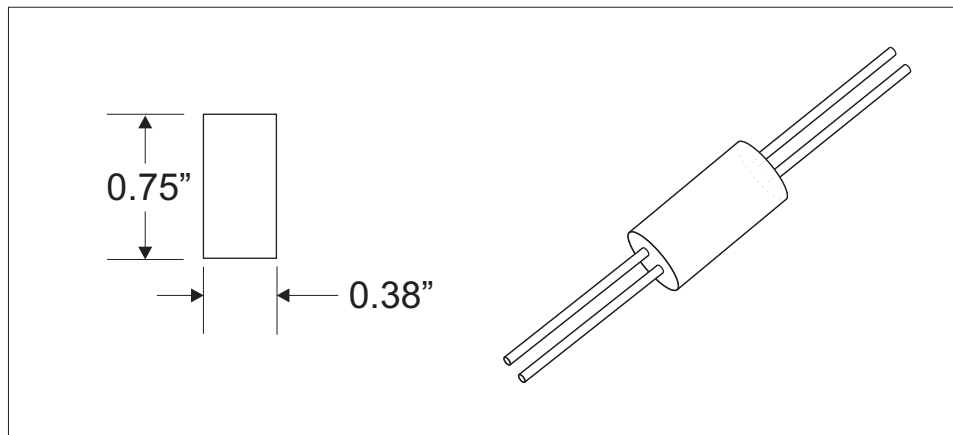


**Figure 3.**  
**Efficiency vs. Vin**

**Specifications**

Output current, 4015-D-x-350 . . . . . 350mA  
Ripple Current. . . . . 1%  
  
Operating temperature . . . . . -40-+85°C  
Storage temperature . . . . . -40-+125°C

**Physical Dimensions**



**Shown approximately actual size**

<sup>1</sup> - Margin increases with higher current units.